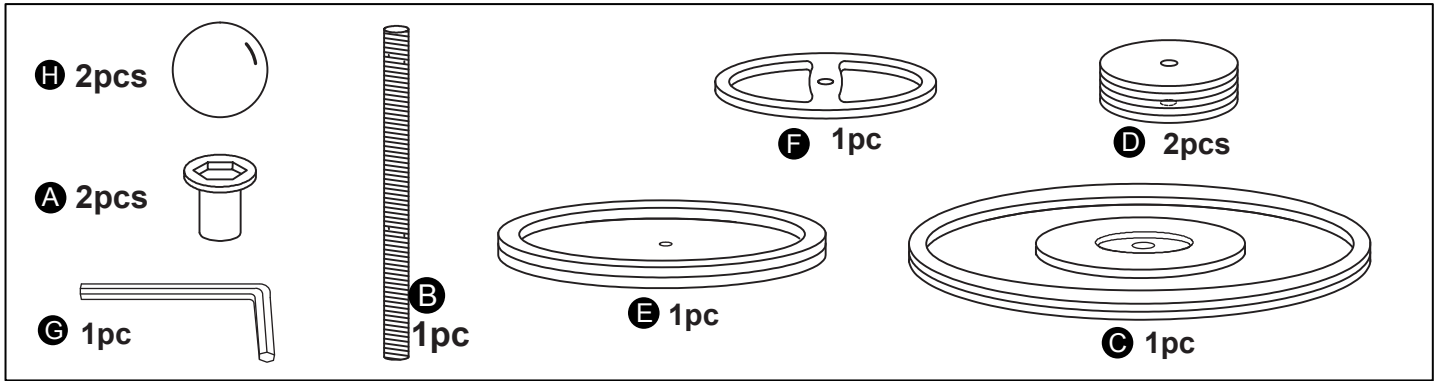


INSTRUCTIONS



Building the Toy



Familiarize yourself with the parts

Building Steps:

You are building the toy from the bottom up

Screw "B" into 1 x Nut "A"

Slide "C" - with the lip facing upwards - on to Rod "B"

Keep finger pressed on bottom nut & rod, holding them in place as you build

Add "1st D" on to Rod "B" either way up onto Rod "B"

Add "E" with the lip facing upwards on to Rod "B"

Add "2nd D" on to Rod "B" either way up

Add "F" - with big countersunk hole facing down - place on to Rod "B" making sure "D" goes into the countersunk hole

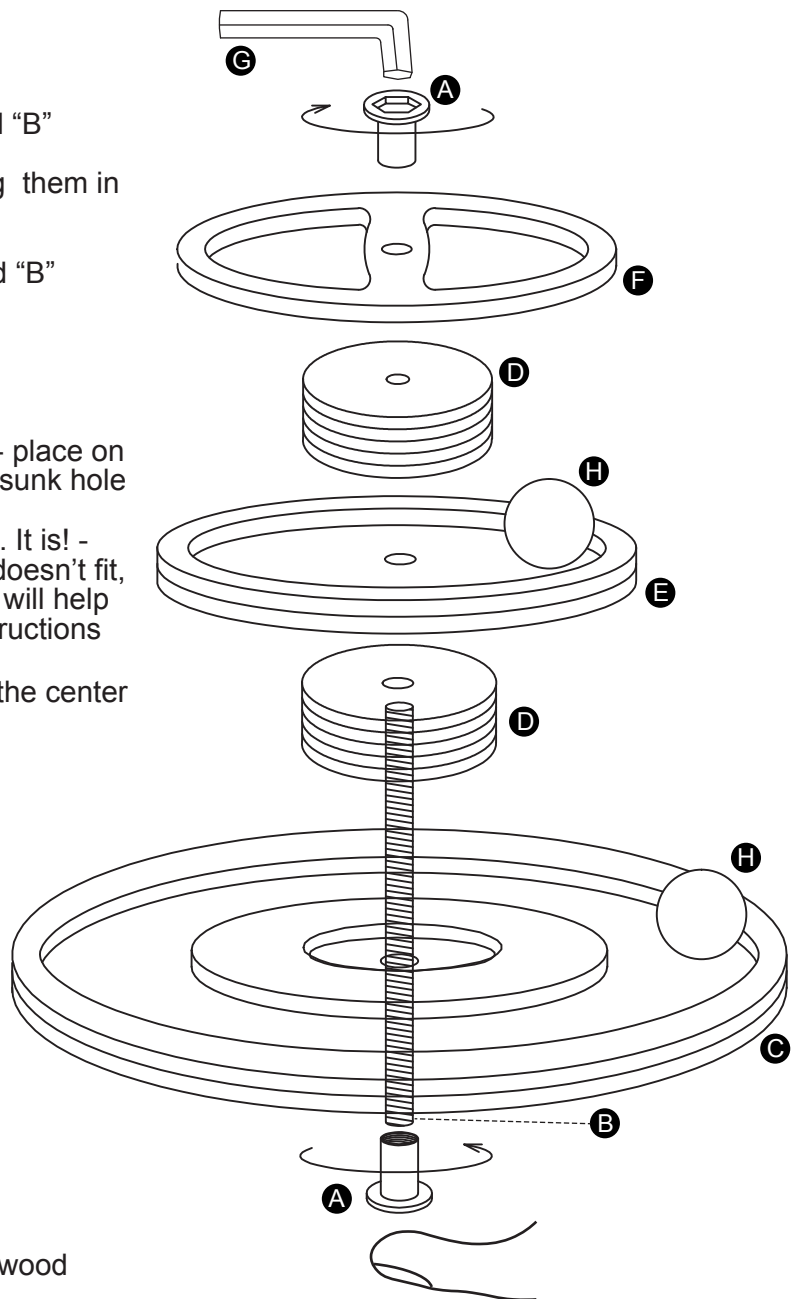
NOTE: it will look like Rod "B" is not long enough. It is! - they are sleeve nuts designed to hide away. If it doesn't fit, you have not built it correctly. Contact us and we will help or there is a build video www.7rubyroad.com/instructions

Align and carefully insert remaining Nut "A" in to the center hole "F" - using the Hex tool "G" turn clockwise

Before fully tightening add 1 x Ball "H" to layer "C" and add 1 x Ball "H" to layer "E"

Now tighten top Nut "A" with the Hex tool "G" keeping your finger pressed on the bottom Nut "A" so that the Nuts tighten

Tighten so that the toy is firmly held together and that the balls do not fall out



WARNING:

Do not over tighten Nuts as this will damage the wood
Keep all parts out of the reach of young children

Possible choking hazard